

Mickey self-tensioning, modular and independent Bimini system

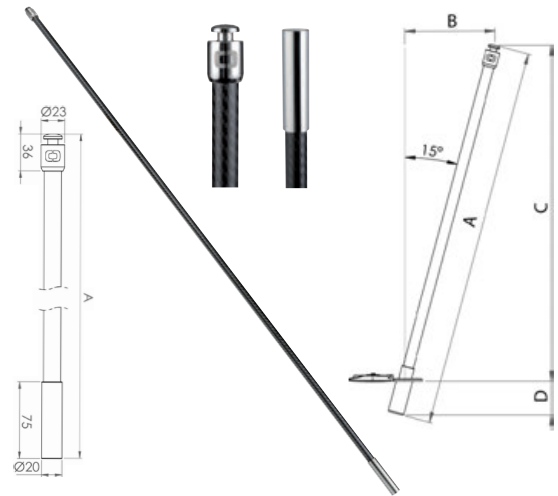
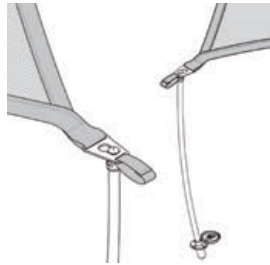


It can be used as sunshade or water protection and is UV-resistant. Simple to assemble, disassemble and store. It can be installed in many different ways. The 15°-inclination basis are small and can be easily in different places of the deck depending on the needs and provide a wider coverage than traditional systems. Much more convenient than the standard systems available on the market (canopy not included).

Flexible pole for Mickey system

Fiberglass pole covered in carbon fibre with AISI316L stainless steel inserts.

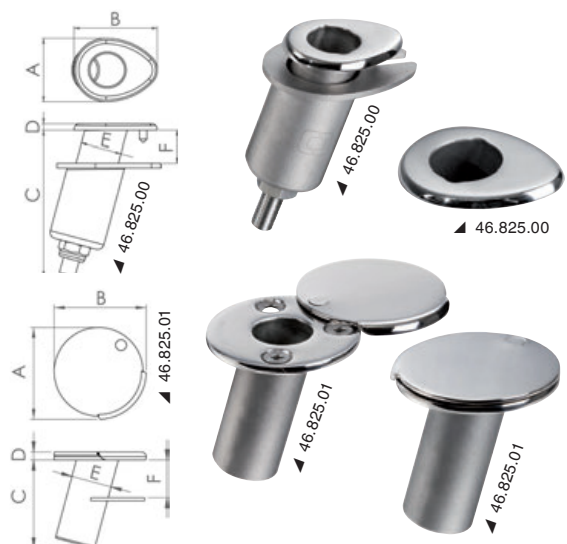
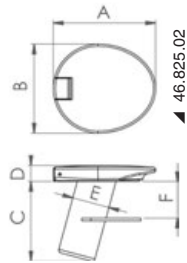
Code	Ø mm	Overall height A cm	Distance gained with slope B cm	Net height from flush deck C cm	Recess D cm
46.826.14	16	137	34	129	8
46.826.15	16	153.5	38	145	8
46.826.17	16	170	43	160	8
46.826.18	16	185	47	175	8



Stainless steel fastening bushing for Mickey system

Recess-fit AISI316 stainless steel bushing with fastening counter-ring. Available in 3 models.

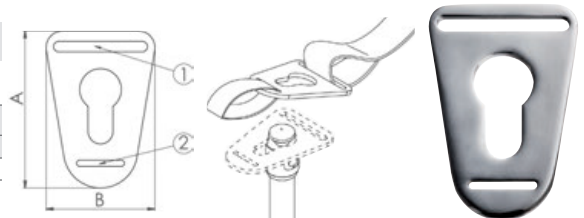
Code	Description	Pole-Ø mm	←→ mm					min/max deck thickness F mm
			A	B	C	D	E	
46.825.00	No lid	16	52	40	54	4	26	8/40
46.825.01	Rotary lid	16	58	58	54	5	26	2/50
46.825.02	Watertight lid	16	69	62	54	10	26	2/50



Fastening buckle for Mickey system

AISI316 stainless steel buckle for a simpler fastening of the Bimini top to the pole.

Code	←→ mm		←→ buckle for loop mm	
	A	B	1	2
46.825.09	74	50	40x5	20x3



New Mounting base on stainless steel pulpit Mickey system

Code 46.825.10
Stainless steel AISI 316 bushing to be fixed where the pulpit crosses the support arm (to prevent bushing rotation). Adaptable to pulpits with diameters from 30 to 34 mm and support arm diameters from 25 to 28 mm. Accommodates a pulpit joint angle from 90° to 45°. Designed with a 15° angle towards the bow or stern and a 12° outward tilt of the vessel to create a self-tensioning system and maximise the size of the awning (Screws included).

