

Large rigid tank for drinkable water

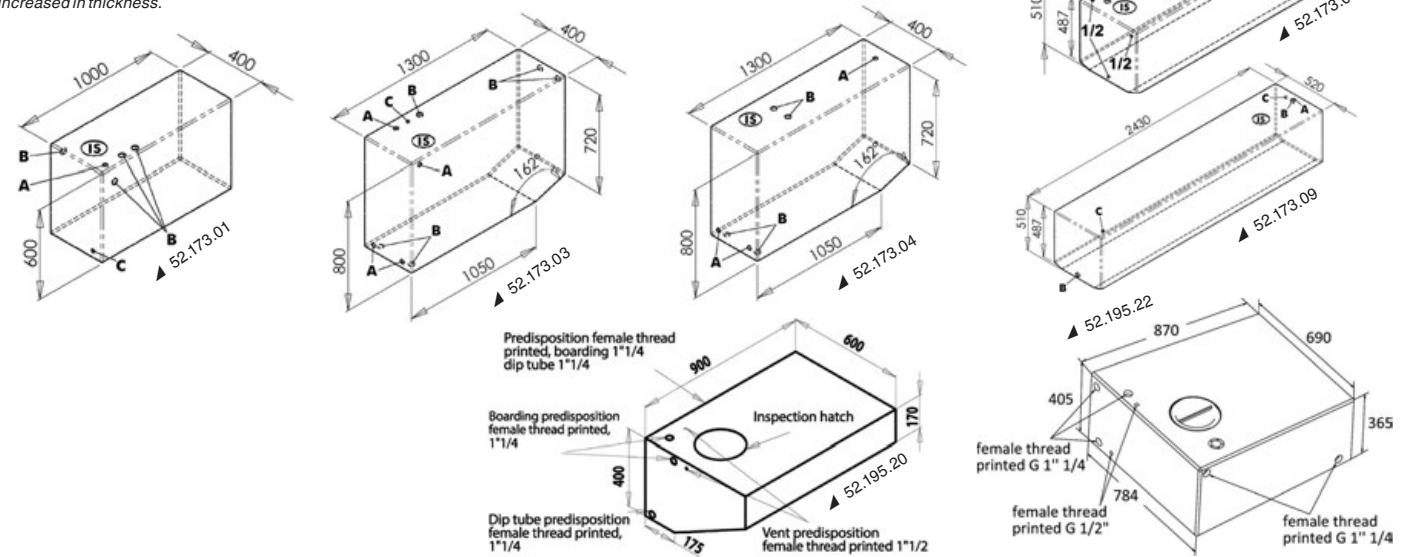
In food-grade linear polyethylene. Tasteless and odourless. Supplied complete with inspection cap and provisions for loading, unloading, and venting. Possibility of modular installation of multiple tanks, thanks to the preparation of a connection nipple. All female fittings in the plastic moulded.

Code	Capacity l	Length x width mm	Height mm	Standard thickness mm +/- 5%*
52.173.01	215	1000x400	600	6
52.173.03	390	1300x400	800	7
52.173.04	390	1300x400	800	7
52.173.08	350	1620x520	510	8
52.173.09	600	2430x520	510	9.5
52.195.20	165	900x600	400	6
52.195.22	240	870x785	405	6

Symbols: A=1" - B=1"1/4 - C=1"1/2 - D=3/4 - IS=Inspection

* Our fresh water tank thickness is calculated for standard use of tanks to be installed on leisure boats.

The installer or the designer shall be responsible for checking that both the tanks and their mounting systems comply with the required use. Technical support shall be requested, if necessary. The option to require on demand tanks increased in thickness.



Rigid modular tank for drinkable water

Made of linear food-quality polyethylene. Fitted with inspection plug and multiple ports for filling, draining, venting with 1" 1/4, 3/4", 1" female threads. Ready to fit a level indicator with 5-bore VDO flange (27.160.xx; 27.161.xx; 27.166.xx).

Prepared for level indicator installation with VDO 5-hole flange (27.160.xx; 27.161.xx; 27.166.xx).

Code	Capacity l	Base mm	Height mm	A - Vent Ø mm	B - Filler cap Ø mm	C	D	Standard thickness mm +/- 5%*
52.194.80	172	700x500	600+25	16/20	38/50	3/4"	1"1/4	5.5
52.194.81	247	1000x500	600+25	16/20	38/50	3/4"	1"1/4	7
52.194.82	343	1400x500	600+25	16/20	38/50	3/4"	1"1/4	7
52.194.90	170	500x600	700+25	16/20	38/50	3/4"	1"1/4	6
52.194.91	236	500x600	1000+25	16/20	38/50	3/4"	1"1/4	7

* Our fresh water tank thickness is calculated for standard use of tanks to be installed on leisure boats. The installer or the designer shall be responsible for checking that both the tanks and their mounting systems comply with the required use. Technical support shall be requested, if necessary. The option to require on demand tanks increased in thickness.

